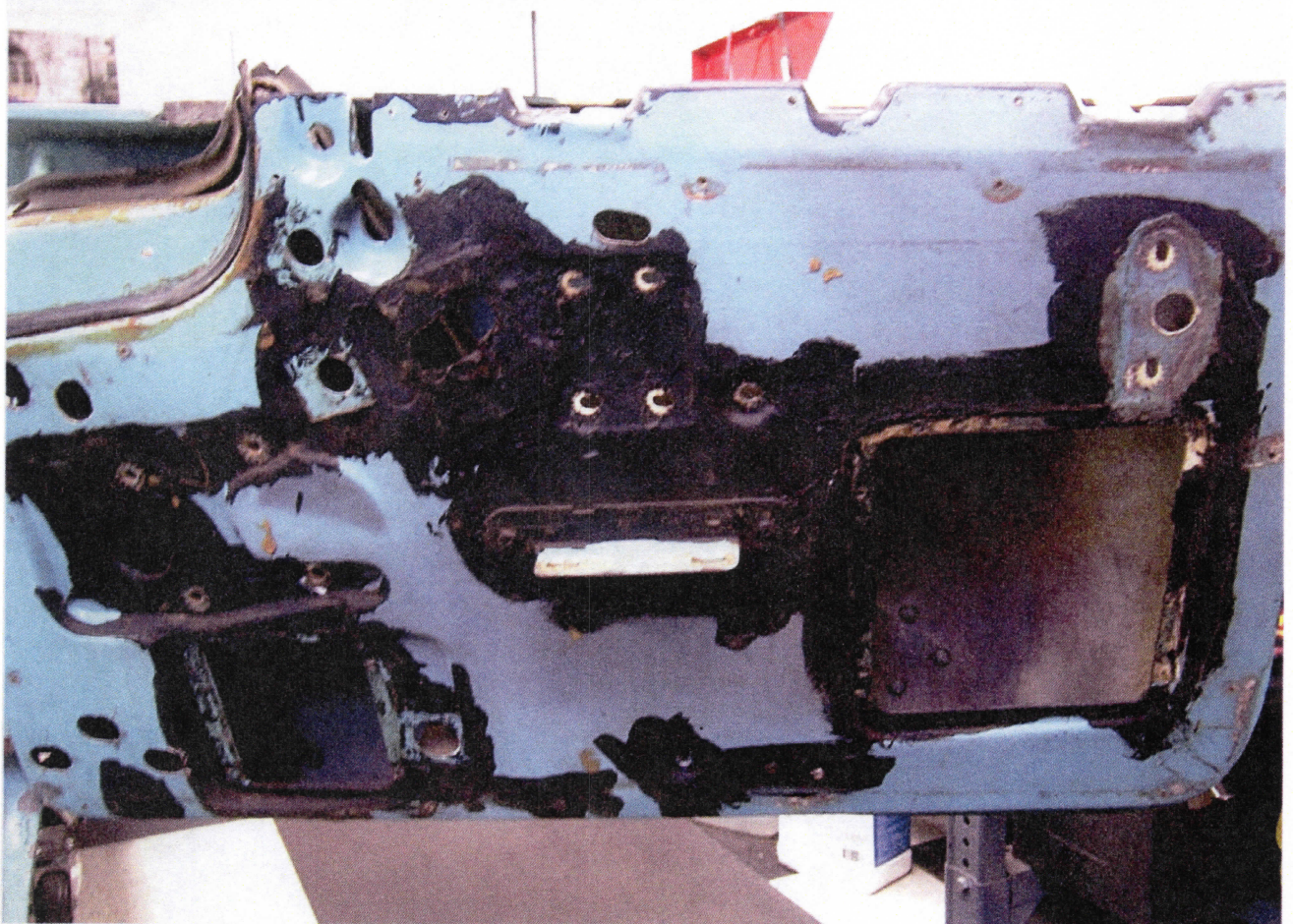
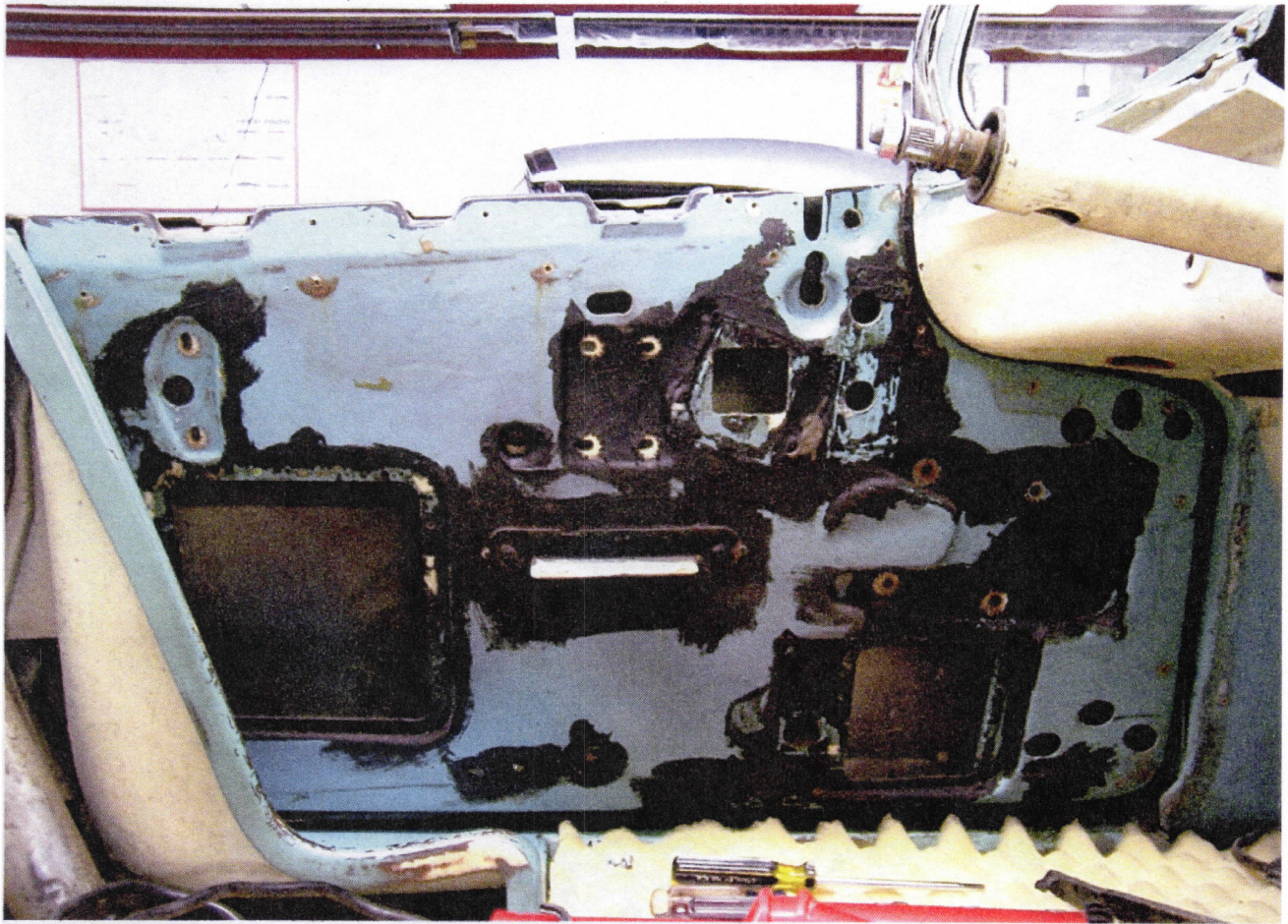
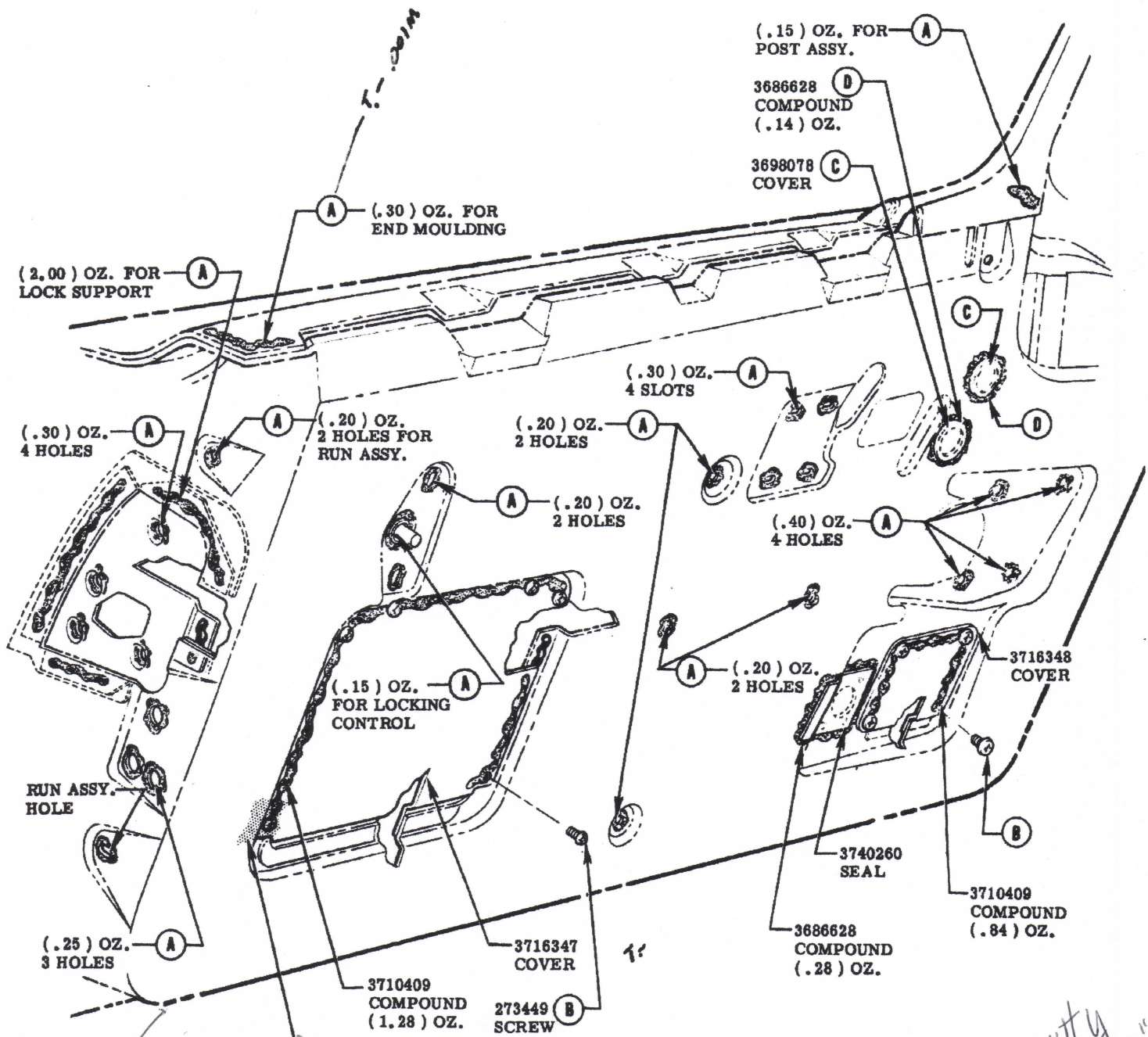


Phil Barbaro
5/17/14

WATER MANAGEMENT



see back



** Clean out holes @ bottom of door*

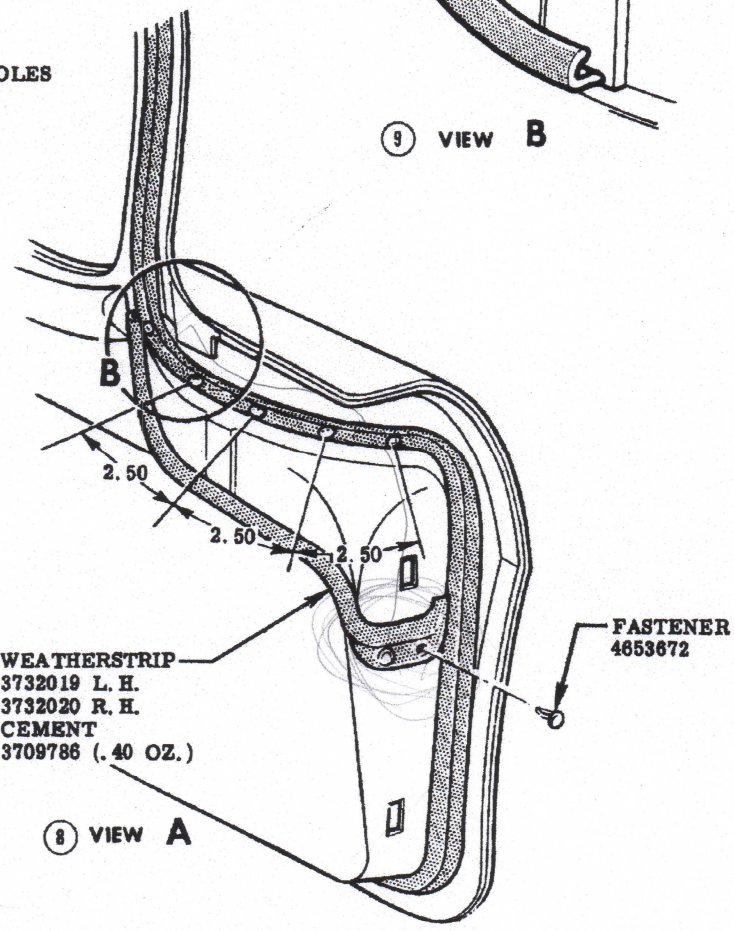
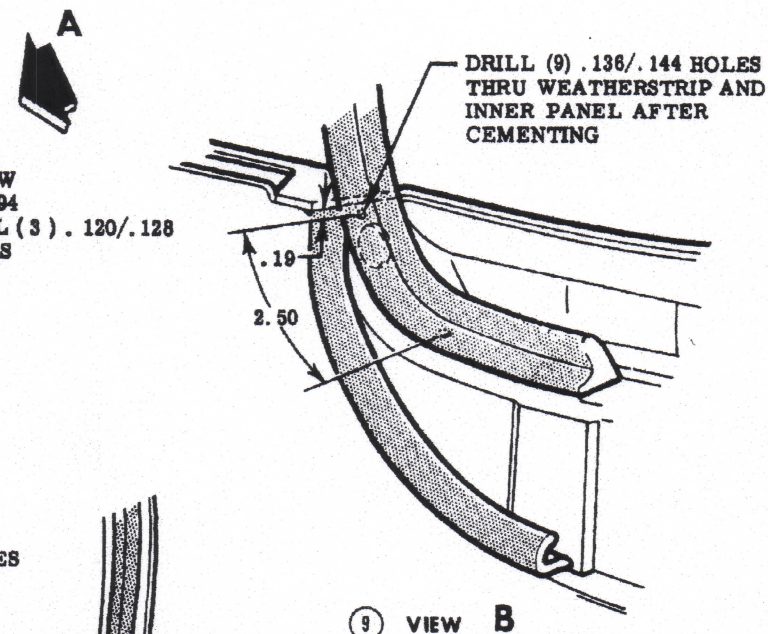
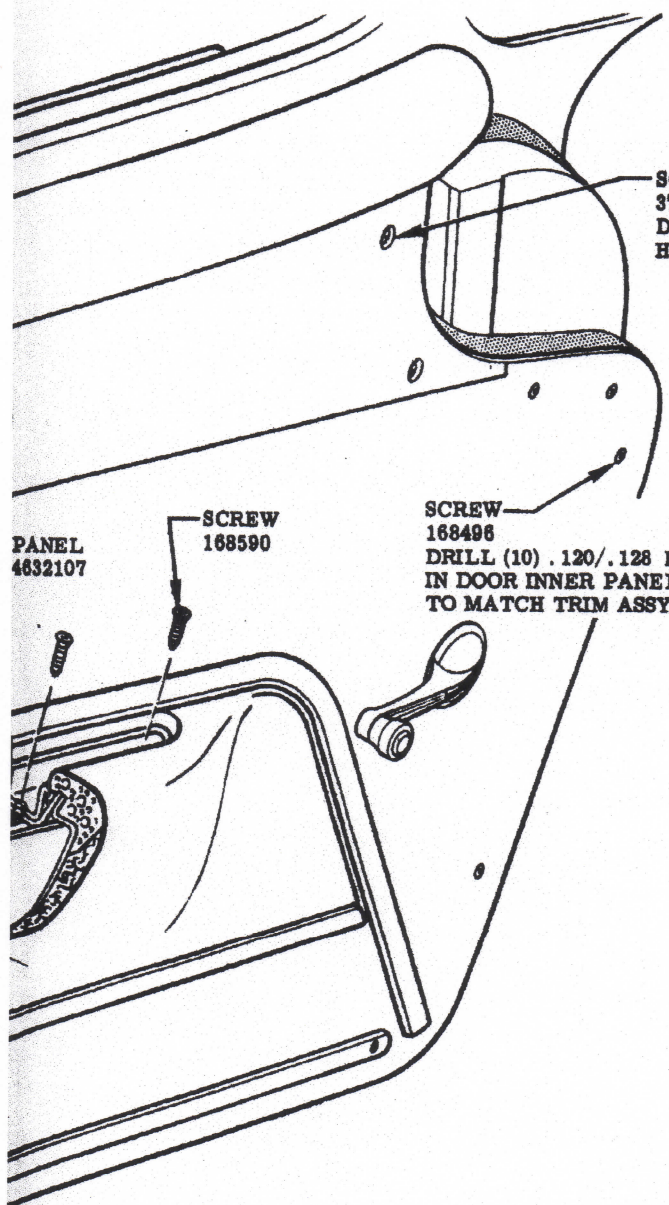
PROTECTIVE COATING
3686683
(4.00) OZ.
APPLY TO ALL SEALED AREAS
OF INNER PANEL UNDER THE
TRIM PANEL. AREA SHOWN IS TYPICAL

*electrician putty
"wet seal compound"
Topaz brand*

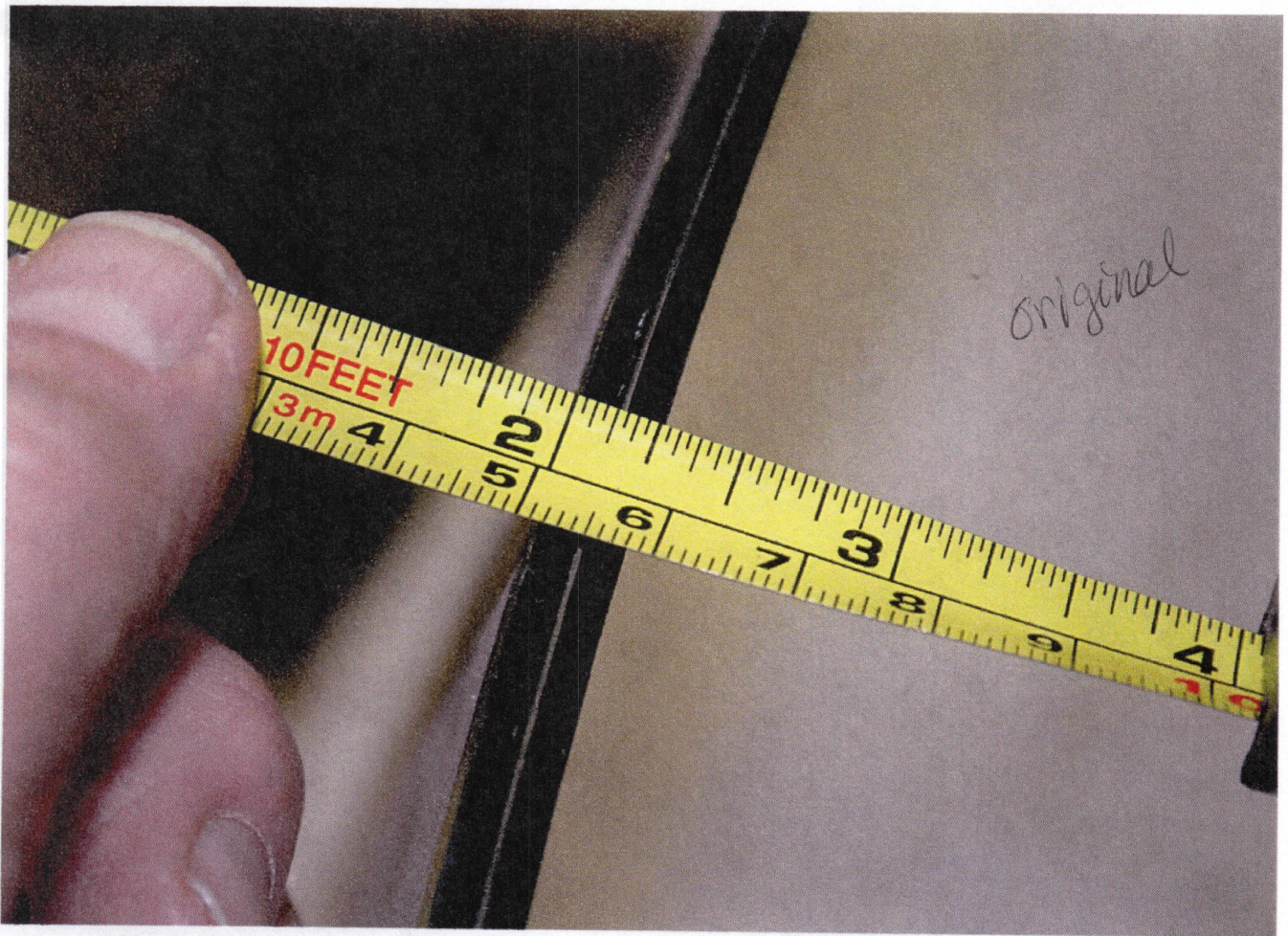
(A) 466943 COMPOUND - SEALING

DOOR SEALING & ACCESS HOLE COVERS

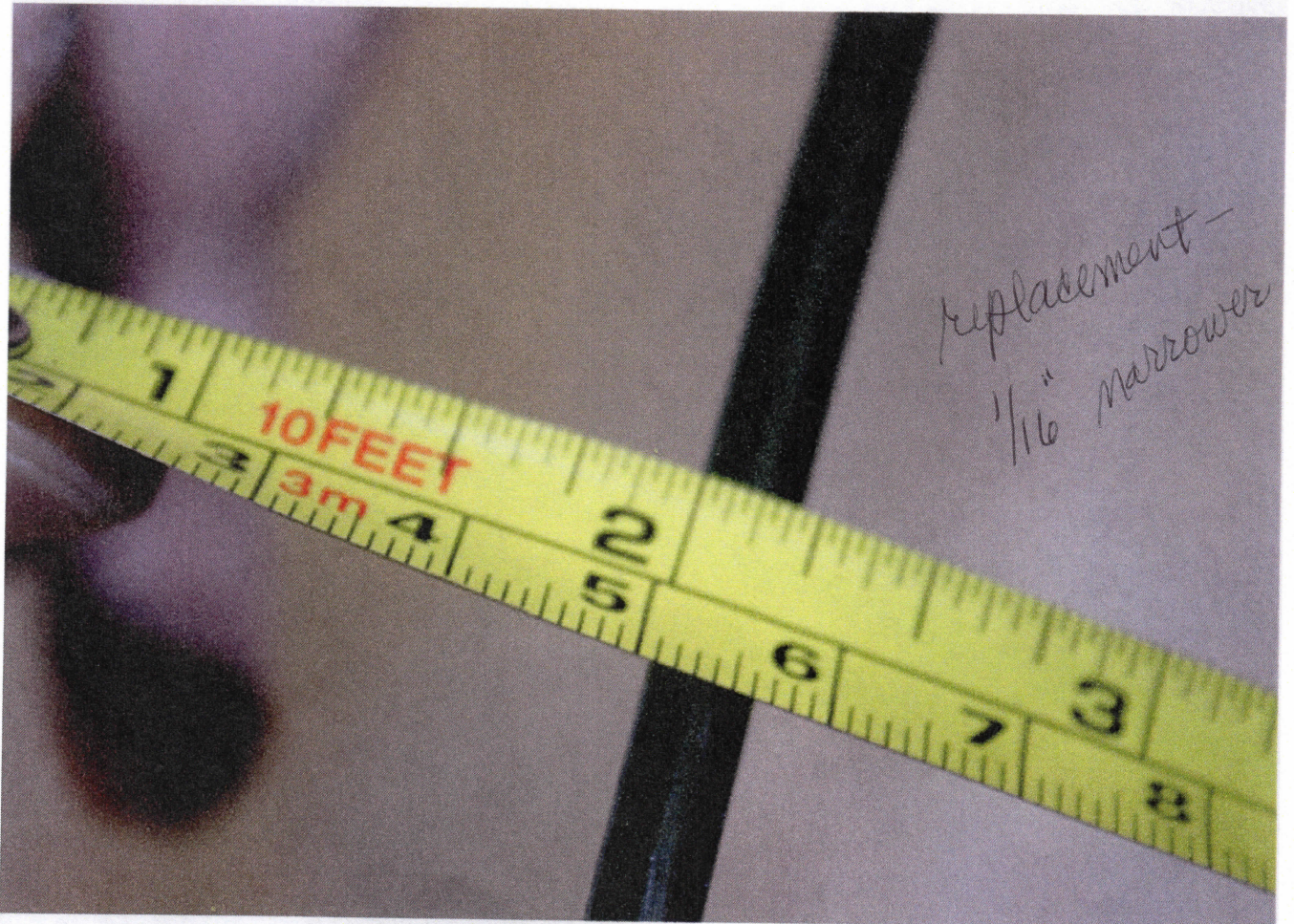
					NAME CORVETTE INSTRUCTION MANUAL				
					REF.	DRAWN J. J.	CHECKED L. S.	SECT. F	SHEET 3.00
11-13-56	4	REDRAWN & REVISED	4059	V F	DATE 9-15-55	PART No. 3726900			
DATE	SYM.	REVISION RECORD	AUTH.	DR. CK.					



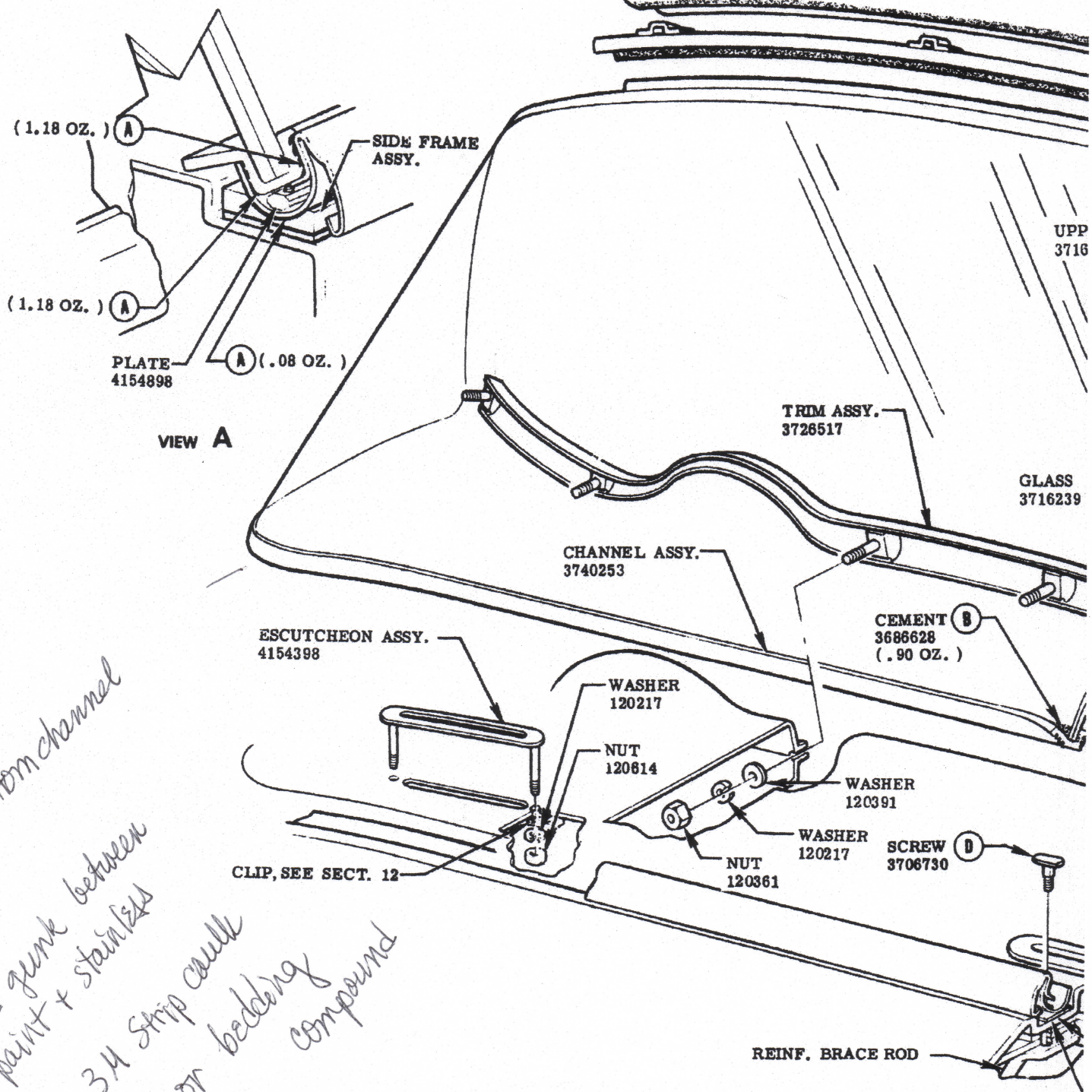
				NAME				CORVETTE INSTRUCTION MANUAL			
				REF.	DRAWN	CHECKED	SECT.	SHEET			
					J. J.	L. S.	F	13.00			
				DATE	PART No.						
				9-15-55	3726900						
DATE	SYM.	REVISION RECORD	AUTH.	DR.	CK.						
4-9-57	7	REDRAWN	490								
				9	VIEW REVISED		F				
				8	VIEW REVISED						



original



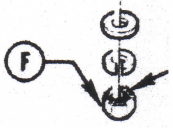
replacement -
1/16" narrower



(C) DRILL (4) .136 - .144 DIA. HOLES IN WINDSHIELD UPPER FRAME TO LINE UP WITH HOLES IN HEADER MOULDING

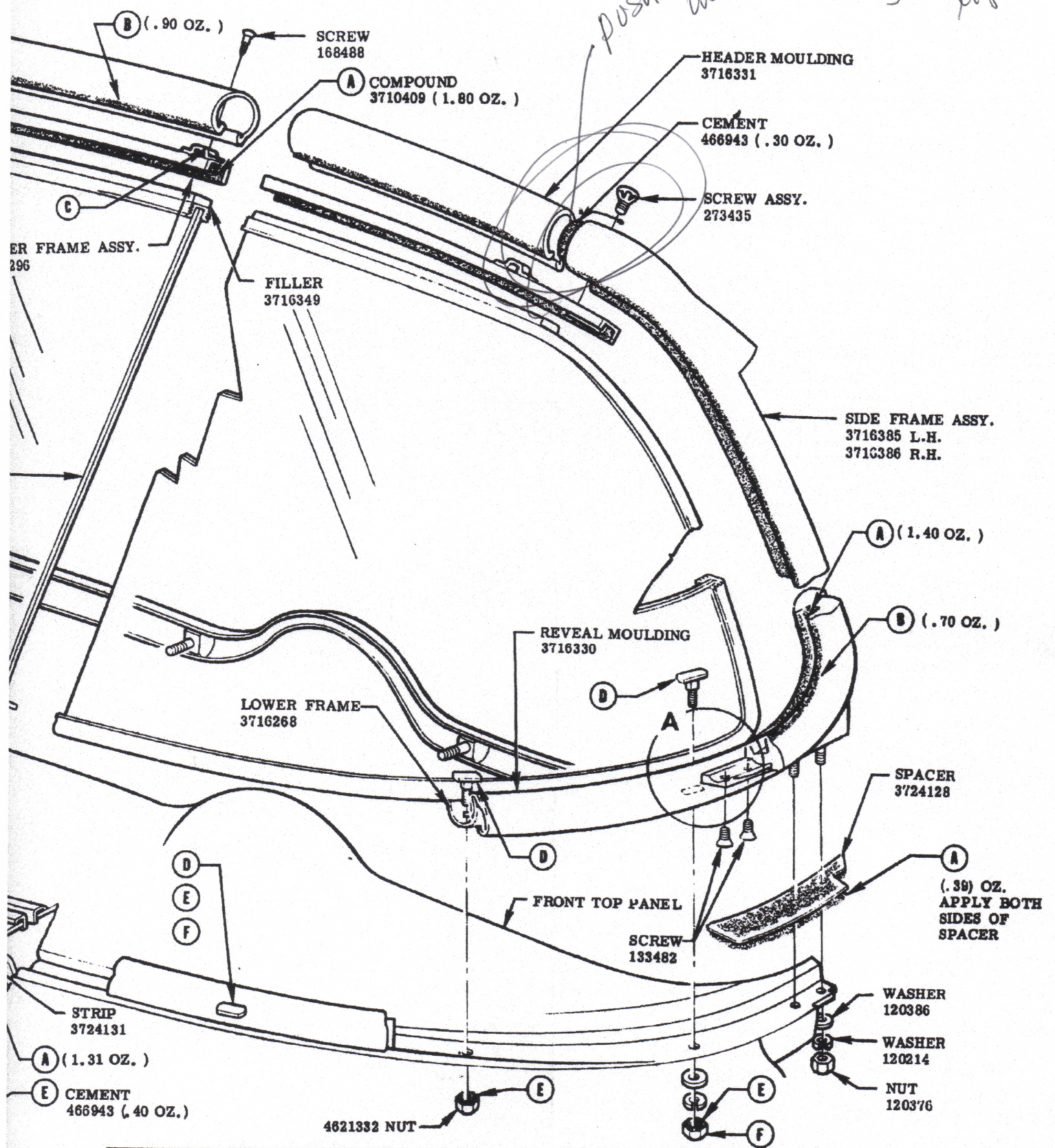
INSTRUMENT PANEL TRIM & WINDSHIELD

121743 NUT
121744 L. W.
120391 P. W.

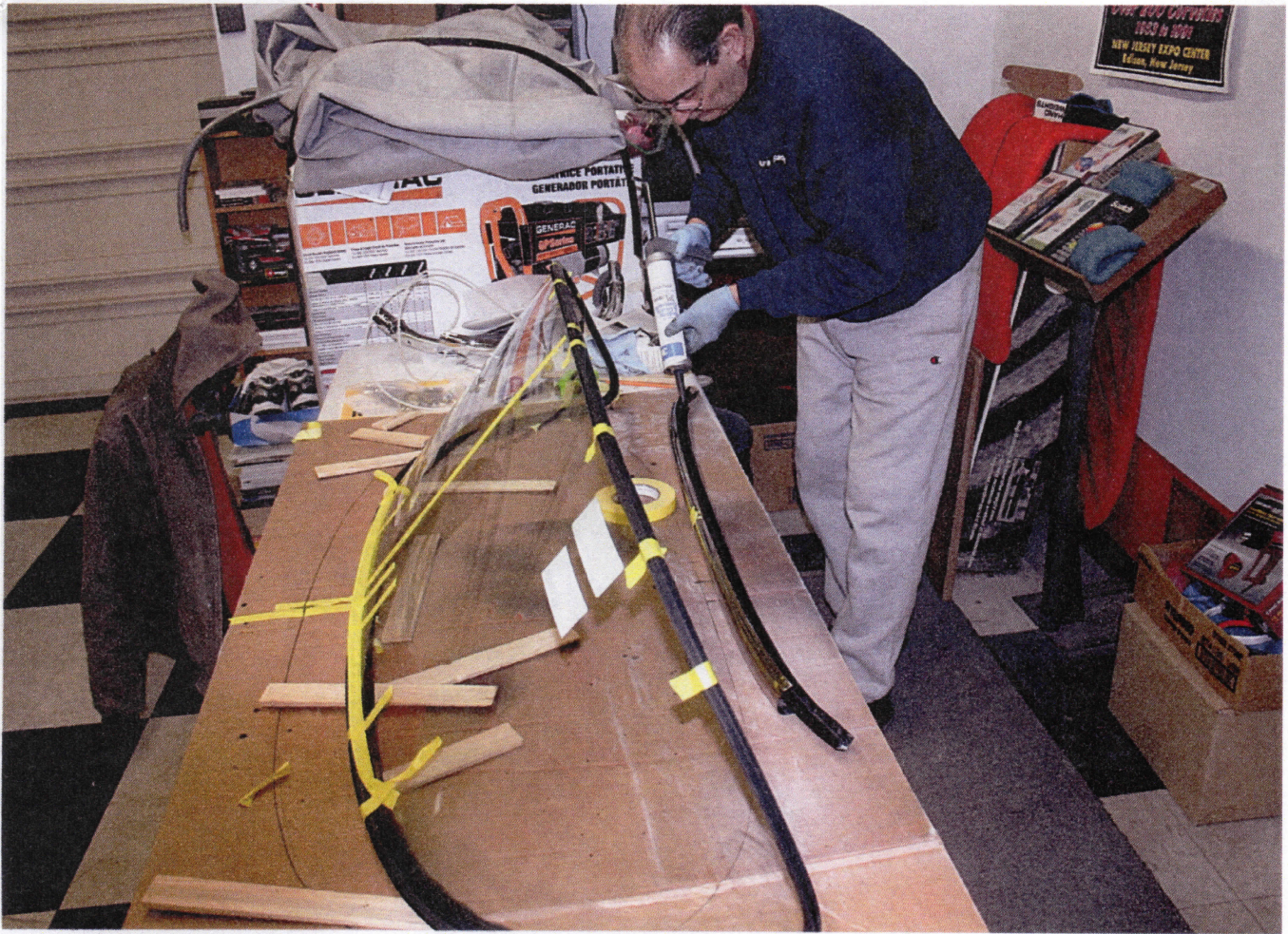


push gunk/calk in there

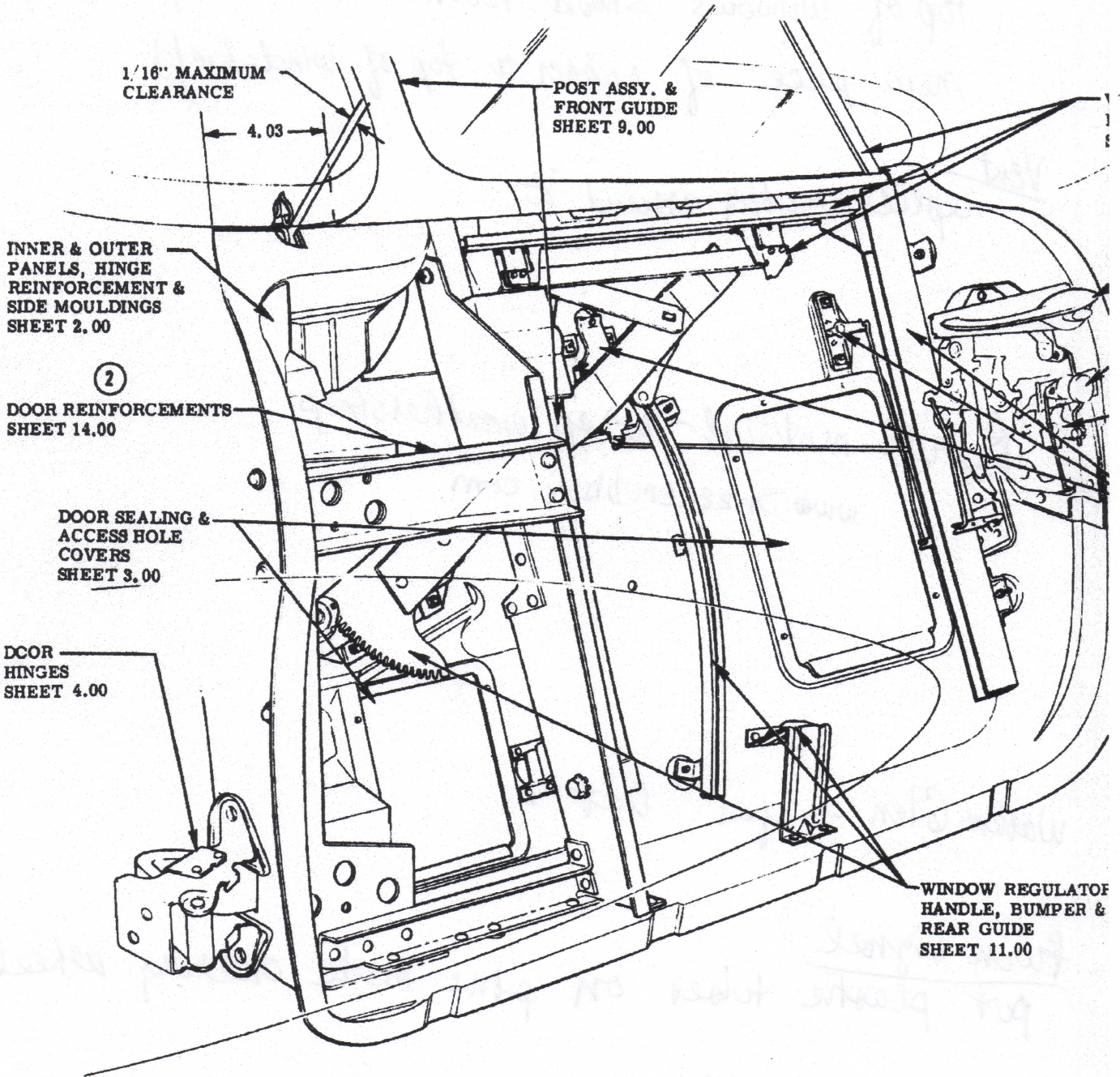
3M Strip Calk - light gray



						CORVETTE INSTRUCTION MANUAL				
						REF.	DRAWN C. C.	CHECKED L. S.	SECT.	SHEET
7-22-57	13	REDRAWN & REVISED	624	V	F	DATE	PART No. 3726900		B	5.00
DATE	SYM.	REVISION RECORD	AUTH.	DR.	CK.	9-15-55				



3M bedding & glazing compound
~~clean w/~~
mineral spirits



SIDE DOORS